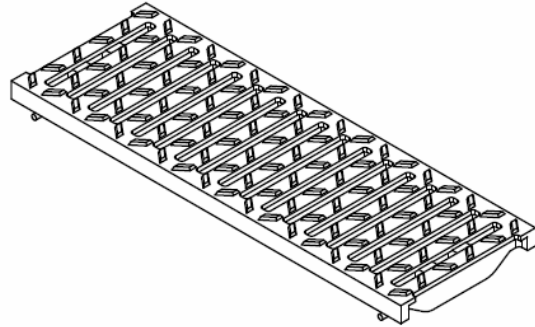
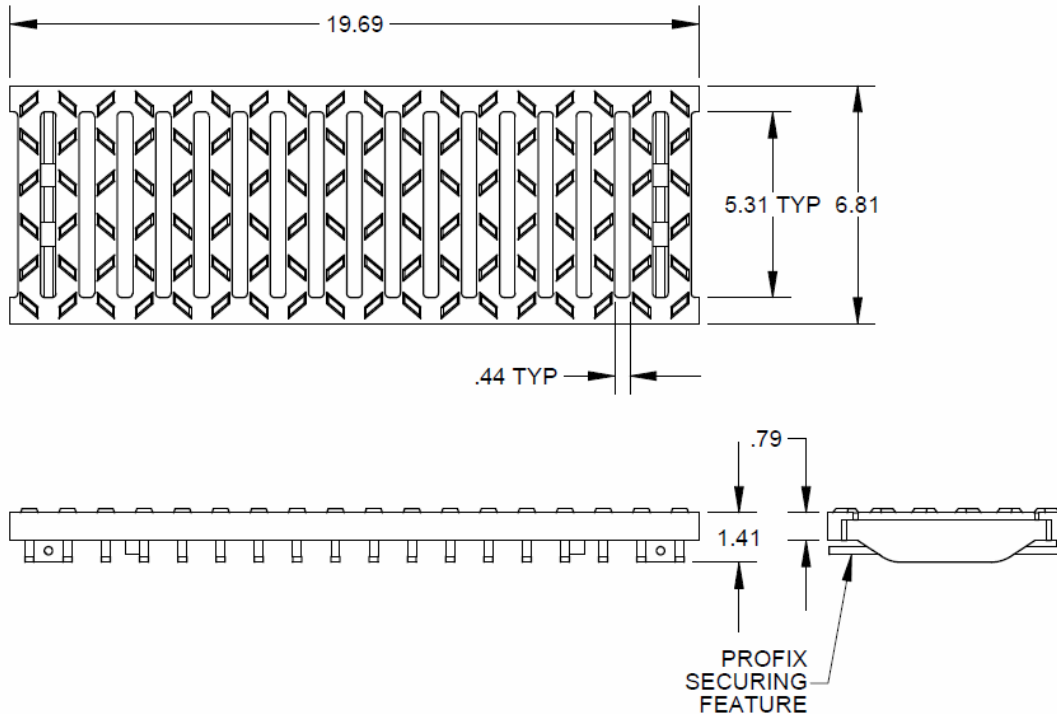



<p><b>Number</b></p> <p style="text-align: center;"><b>151171</b></p>	<p><b>Series</b></p> <p style="text-align: center;"><b>CPS606</b></p> <p style="text-align: center;">F Class Ductile Iron Grate Profix</p>
---	--



NOTE:  
FREE AREA 47.6 SQ. IN.



<p><b>Manufacturer</b></p> <div style="border: 1px solid black; padding: 5px; text-align: center;">  </div> <p>Quality engineered trench drain system</p>	<p><b>Specification</b></p> <p>MEA-JOSAM SERIES EN1500 1/2 METER DUCTILE IRON GRATE WITH PROFIX LOCKING DEVICE. MEETS LOAD CLASS F REQUIREMENTS. SUPPLIED BY TRENCH DRAIN SUPPLY.</p>
--	---

DISCLAIMER - The customer and the customer's architects, engineers, consultants, and other professionals are completely responsible for the selection installation and maintenance of any product purchased from Trench Drain Supply and/or its manufacturers. TRENCH DRAIN SUPPLY MAKES NO WARRANTY, EXPRESS OR IMPLIED, AS TO THE SUITABILITY, DESIGN, MERCHANTABILITY, OR FITNESS OF THE PRODUCT FOR CUSTOMERS APPLICATION. The drawing and information provided remain the property and copyright of the manufacturer listed. The manufacturer reserves the right to modify specification without notice.